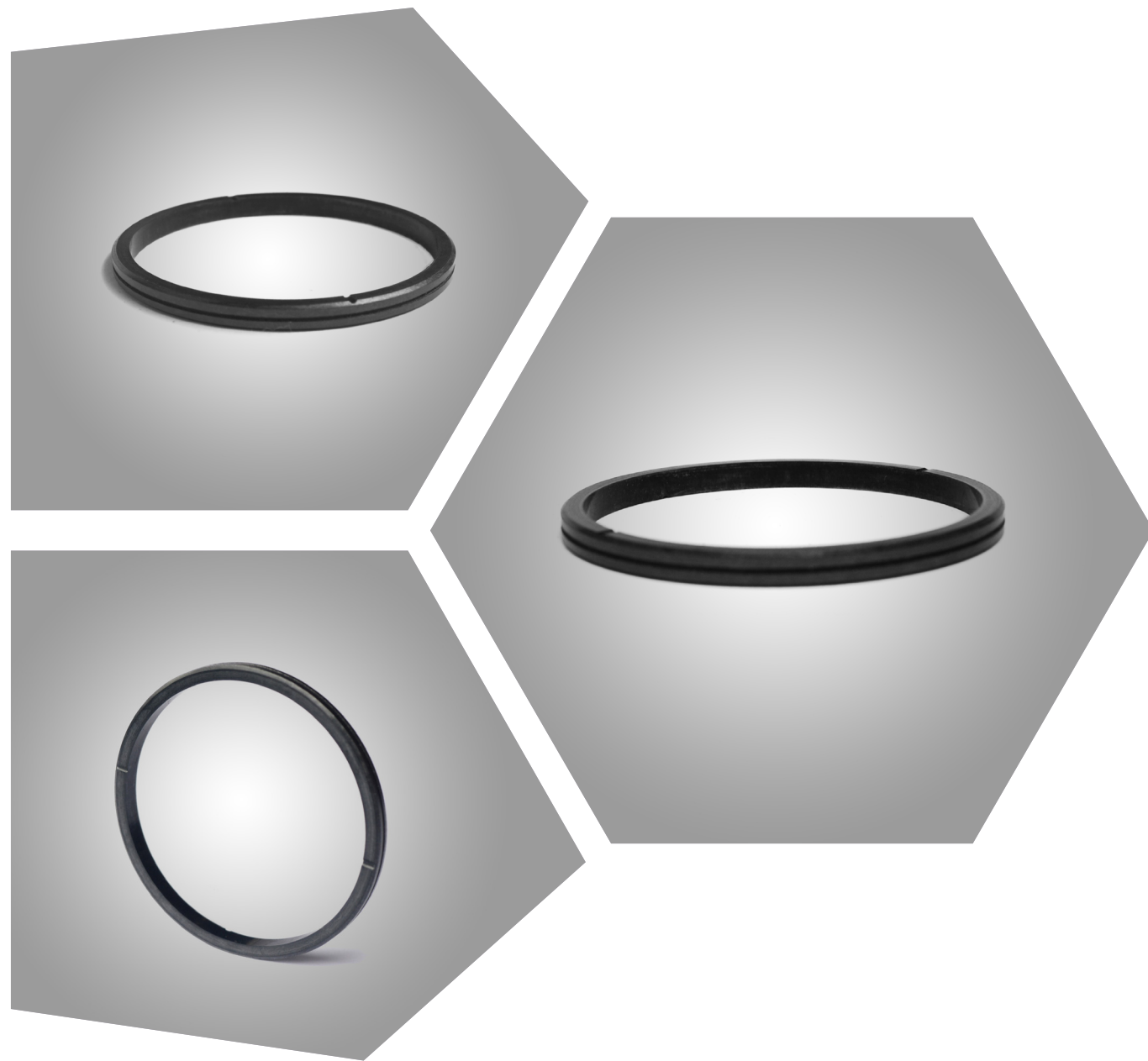
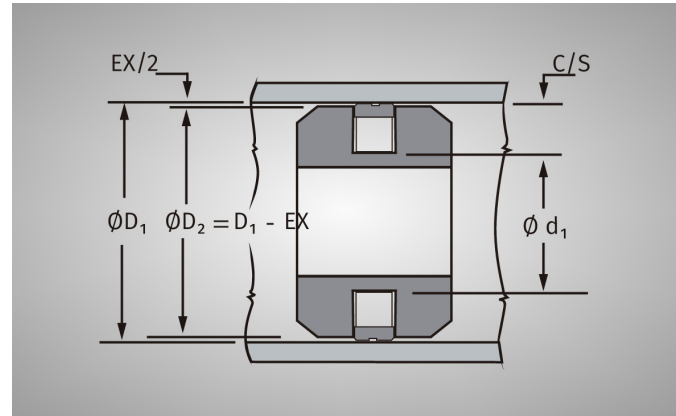
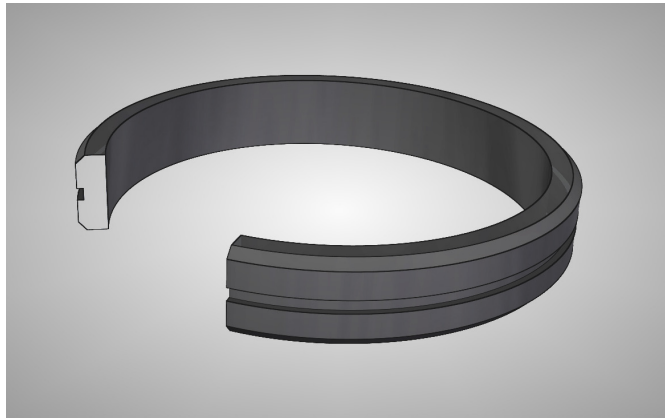


PISTON GLIDE RINGS

90 Series







CHARACTERISTICS

Piston Glide Rings are used in conjunction with square section nitrile rubber energizers. The square section ensures the ring stability under varying pressures and speeds.

The Glide Ring material is a hard (65 shore D) thermoset polyurethane with a modulus to resist extrusion.

The dynamic surface is impregnated with molybdenum disulfide (MSO_2) to reduce friction.

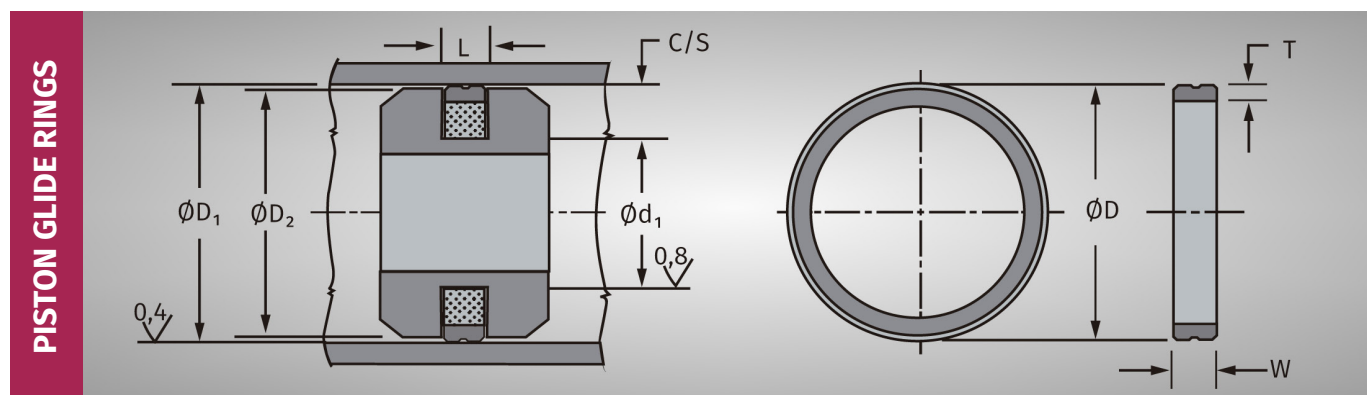
In addition to the standard sizes shown, which interchange with PTFE rings, tooling is available for most other sizes. Unlike PTFE rings, the elastic properties of the polyurethane make installation easy, without the need for special tooling.

MATERIALS

Type: Unithane 460 D, Liquid Cast Polyurethane

Hardness: Durometer 65 D

Fluid Compatibility: See Material Specifications: Technical Bulletin USM-03



PISTON GLIDE RINGS

90 Series



POLYURETHANE EQUIVALENT SIZE FOR 1710 TUF-TREL PISTON SEAL

Part Number		Groove				
1710	Universal	Bore Dia.	Dia.	Width	Seal	Seal
Dash #	Seal	+/- 0.001	+0.000 -0.002	+0.002 -0.000	Width	C/S
016-208	89-208	1,000	0,633	0,170	0,155	0,062
020-212	89-212	1,250	0,833	0,170	0,155	0,062
024-216	89-216	1,500	1,133	0,170	0,155	0,062
028-220	89-220	1,750	1,258	0,170	0,155	0,062
032-325	90-325	2,000	1,380	0,250	0,235	0,062
036-327	90-327	2,250	1,630	0,250	0,235	0,062
040-329	90-329	2,500	1,880	0,250	0,235	0,062
044-330	90-330	2,750	2,130	0,250	0,235	0,125
048-332	90-332	3,000	2,380	0,250	0,235	0,125
052-334	90-334	3,250	2,630	0,250	0,235	0,125
056-336	90-336	3,500	2,880	0,250	0,235	0,125
060-338	90-338	3,750	3,130	0,250	0,235	0,125
064-340	90-340	4,000	3,380	0,250	0,235	0,125
068-342	90-342	4,250	3,630	0,250	0,235	0,125
072-344	90-344	4,500	3,880	0,250	0,235	0,125
076-346	90-346	4,750	4,130	0,250	0,235	0,125
080-348	90-348	5,000	4,380	0,250	0,235	0,125
084-425	90-425	5,250	4,500	0,310	0,290	0,125
088-427	90-427	5,500	4,750	0,310	0,290	0,125
090-428	90-428	5,625	4,875	0,310	0,290	0,125
092-429	90-429	5,750	5,000	0,310	0,290	0,125
096-431	90-431	6,000	5,250	0,310	0,290	0,125
100-433	90-433	6,250	5,500	0,310	0,290	0,125
104-435	90-435	6,500	5,750	0,310	0,290	0,125
112-438	90-438	7,000	6,250	0,310	0,290	0,125
120-440	90-440	7,500	6,750	0,310	0,290	0,125
128-442	90-442	8,000	7,250	0,310	0,290	0,125
132-443	90-443	8,250	7,500	0,310	0,290	0,125
136-444	90-444	8,500	7,750	0,310	0,290	0,125
144-445	90-445	9,000	8,250	0,310	0,290	0,125
152-446	90-446	9,500	8,750	0,310	0,290	0,125
160-447	90-447	10,000	9,250	0,310	0,290	0,125
176-449	90-449	11,000	10,250	0,310	0,290	0,125
192-450	90-450	12,000	11,250	0,310	0,290	0,125
208-453	90-453	13,000	12,250	0,310	0,290	0,125

POLYURETHANE EQUIVALENT SIZE FOR
STYLE PS 1600 GLASS FILLED TELFLON SEALS OR 1706

Part Number		Groove				
1600	Universal	Bore Dia.	Dia.	Width	Seal	Seal
Dash #	Seal	+/- 0.001	+0.000 -0.002	+0.002 -0.000	Width	C/S
016-018	91-018	1,000	0,787	0,094	0,055	0,085
018-020	91-020	1,125	0,912	0,094	0,055	0,085
020-022	91-022	1,250	1,037	0,094	0,055	0,085
022-024	91-024	1,375	1,162	0,094	0,055	0,085
024-026	91-026	1,500	1,287	0,094	0,055	0,085
026-028	91-028	1,625	1,412	0,094	0,055	0,085
028-127	91-127	1,750	1,473	0,094	0,055	0,085
030-129	91-129	1,875	1,598	0,126	0,055	0,115
032-131	91-131	2,000	1,723	0,126	0,055	0,115
036-135	91-135	2,250	1,937	0,126	0,055	0,115
038-137	91-137	2,375	2,098	0,126	0,055	0,115
040-139	91-139	2,500	2,223	0,126	0,055	0,115
044-229	91-229	2,750	2,348	0,157	0,085	0,143
048-231	91-231	3,000	2,603	0,157	0,085	0,143
052-233	91-233	3,250	2,853	0,157	0,085	0,143
056-235	91-235	3,500	3,103	0,157	0,085	0,143
060-237	91-237	3,750	3,353	0,157	0,085	0,143
064-239	91-239	4,000	3,603	0,157	0,085	0,143
068-241	91-241	4,250	3,853	0,157	0,085	0,143
072-243	91-243	4,500	4,103	0,157	0,085	0,143
076-245	91-245	4,750	4,353	0,157	0,085	0,143
080-247	91-247	5,000	4,603	0,157	0,085	0,143
084-249	91-249	5,250	4,853	0,157	0,085	0,143
088-251	91-251	5,500	5,103	0,157	0,085	0,143
092-253	91-253	5,750	5,353	0,157	0,085	0,143
096-355	91-355	6,000	5,350	0,293	0,120	0,272
112-362	91-362	7,000	6,350	0,293	0,120	0,272

POLYURETHANE EQUIVALENT SIZE FOR
STYLE 1711 TUF-TREL ROD SEALS

1711	Part Number	Bore Dia.	Dia.	Groove	Seal
Dash #	Universal	+/- 0.001	+0.000 -0.002	Width	Width
003-208	93-208	0,500	0,858	0,150	0,135
004-210	93-210	0,625	0,885	0,150	0,135
005-212	93-212	0,750	1,110	0,150	0,135
007-214	93-214	0,875	1,235	0,150	0,135
009-216	93-216	1,000	1,360	0,150	0,135
013-220	93-220	1,250	1,610	0,150	0,135
017-326	94-326	1,500	1,991	0,222	0,205
019-328	94-328	1,750	2,241	0,222	0,205
021-330	94-330	2,000	2,491	0,222	0,205
023-332	94-332	2,250	2,741	0,222	0,205
025-334	94-334	2,500	2,991	0,222	0,205
027-336	94-336	2,750	3,241	0,222	0,205
029-338	94-338	3,000	3,491	0,222	0,205
031-340	94-340	3,250	3,741	0,222	0,205
033-342	94-342	3,500	3,991	0,222	0,205
035-344	94-344	3,750	4,241	0,222	0,205
037-346	94-346	4,000	4,491	0,222	0,205
039-348	94-348	4,250	4,741	0,222	0,205
041-427	94-427	4,500	5,228	0,300	0,280
043-429	94-429	4,750	5,478	0,300	0,280
045-431	94-431	5,000	5,728	0,300	0,280
047-433	94-433	5,250	5,978	0,300	0,280
049-435	94-435	5,500	6,225	0,300	0,280
051-437	94-437	5,750	6,478	0,300	0,280
053-439	94-439	6,000	6,728	0,300	0,280